

TWISTABLE AND CONSOLLE

DESIGN MASSIMO CASTAGNA

HENGE

STRUCTURE

Support in sandcasting Brass, sandcasting Bronze or sandcasting Silver finish. With metal plate top and base in black steel finish: burnished Titanio, burnished Platino.

OPTIONAL

Stone top with stone from our range.

TECHNICAL DATA

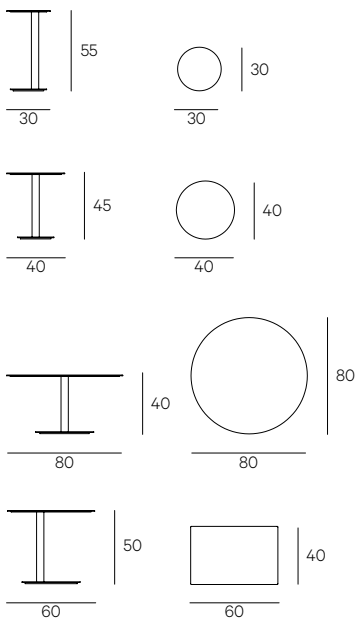
TWISTABLE

Cm ø 30x55h
Cm ø 40x45h
Cm ø 80x40h
Cm 60x40x50h

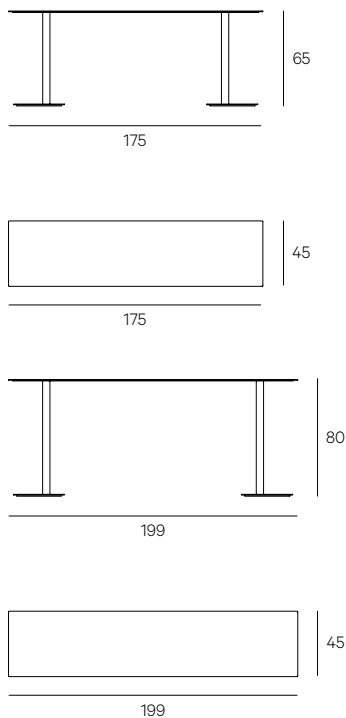
TWISTABLE CONSOLLE

Cm 175x45x65h
Cm 199x45x80h

TECHNICAL DRAWINGS



TECHNICAL DRAWINGS



CARE AND MAINTENANCE OF MARBLE/STONE

Marble is crystalline limestone rock composed primarily of calcium carbonate. As a natural material, colour variations, whether overall or in the veins and marks even within the same slab, are considered characteristic. The product may change by itself, acquiring an appearance that makes it all the more prized and unique the more it shows signs of age. Over time, such surfaces may deteriorate and/or mark (marks bring more noticeable with a pale colour). It is therefore advisable to avoid leaving cleaning products or household liquids (oil, red wine, vinegar, etc.) on the surface. In particular, products that contain citric acid (present for example in fruit, citrus fruit and tomatoes) act on contact with the treated surface, removing its original sheen. Always clean stains on surfaces while they are still fresh. To reduce risk, we treat the marble according to the most advanced waterproofing technology. Yet even the best waterproofing treatment, such as the one we apply, becomes less effective normally after two or three months, depending on your use of the surface. Therefore it is very important to renew the treatment regularly using the recommended product supplied. To apply this, carefully follow the instructions printed on the package, bearing in mind however, that the treatment does not make the surface immune to the effects of acidic substances (such as lemon juice). For routine maintenance use a microfiber cloth with a neutral pH detergent (water alone is enough for flamed finishes). Do not use products containing acids or limescale removing substances.

Specific cleaner and care kit for our stones, including specific products and accessories is available upon request.

CARE AND MAINTENANCE OF METALS

Avoid leaving household liquids (oil, red wine, vinegar, etc.) on the surface. In particular, products that contain citric acid (present for example in fruit, citrus fruit and tomatoes) act on contact with the treated surface, removing its original sheen. Always clean stains while they are still fresh. For routine maintenance use a microfiber cloth and water. Do not use products containing acids, limescale removing substances or alcohol.